

Overview



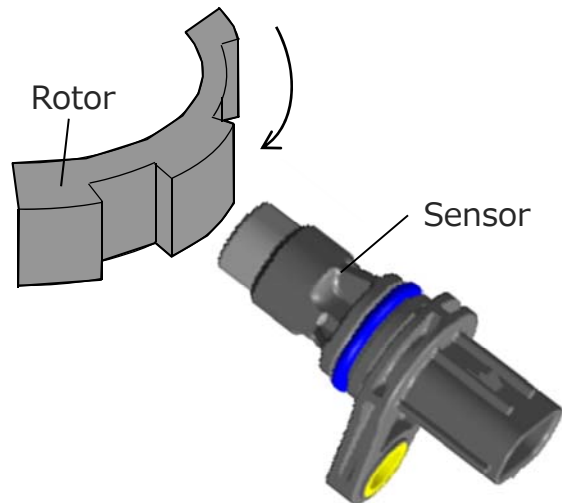
(mm)

Characteristics

Operating Temperature	-30 to 135°C
Operating Voltage	DC 5V
Rated Current	20mA MAX
Output	Analog Voltage
Application	Rotor(gear) Angle Detection

Example of Use

In order to detect the rotation angle of the rotor (gear), this sensor detects changes in the magnetic field (highest and lowest peaks of the rotor).



The data shown is current as of March 2020.
Please understand the description content may be subject to revision without prior notice.

